

AP200 BlueRay Probe System with Loader

This guide contains information to help prepare your facility for the arrival of your AP200 BlueRay probe system with loader.



NOTE

Facility requirements for thermal systems are listed separately. See the Facility Planning Guide specific to your thermal system for details.

Probe Station Requirements

Air and Vacuum	Vacuum	<ul style="list-style-type: none"> • Less than 200 mbar absolute • Flow rate insignificant • 8 mm hose (US 5/16-inch)
	Compressed air for vibration isolation table	<ul style="list-style-type: none"> • Filtered, dry and oil-free • Minimum 4 bar to 8 bar maximum (58 to 116 psi) • Flow rate insignificant • 8 mm hose (US 5/16-inch)
	For detailed information on thermal system requirements, refer to the ATT thermal facility planning guide for your configuration.	
Power	Probe station	• 100–240 V AC nominal, 50-60 Hz, 900 VA (additional 500 VA required for MHU200)
	Protection class	• I (IEC 61140)
	Transient overvoltage	• Overvoltage category II (IEC 60364-4-443)
	Main connector–North America	Grounded IEC a+ppliance inlet C14, according to IEC 60320,UL 498, CSA C22.2 no. 42 (for cold conditions) pin-temperature 70°C, 10 A, protection class I. A region dependent power cord connects IEC C14 to common local power plug (1 phase, grounded).
	Main connector–Europe	Grounded IEC appliance inlet C14, according to IEC 60320,UL 498, CSA C22.2 no. 42 (for cold conditions) pin-temperature 70°C, 10 A, protection class I. A region dependent power cord connects IEC C14 to common local power plug (1 phase, grounded).
	Fuse for main connector	16 A lead fuse
Environmental Conditions	Humidity	<ul style="list-style-type: none"> • Tool area: 25% to 60% • Support equipment area: 25% to 60%
	Temperature	<ul style="list-style-type: none"> • Operating range: 19°C to 24°C • Target temperature: 22°C
	NOTE Keep electronics rack side ventilators and air expellers clear for air circulation.	
	Pollution level	• 1 (IEC 60664)
	Clean room class	• Class 6 corresponding to DIN EN ISO 14644-1
	Tolerance	• 1K
Vibrations	The facility should be free of vibrations caused by other equipment.	
Reliability	MTBF 3000 h; MTTR 24 h; availability 99%	

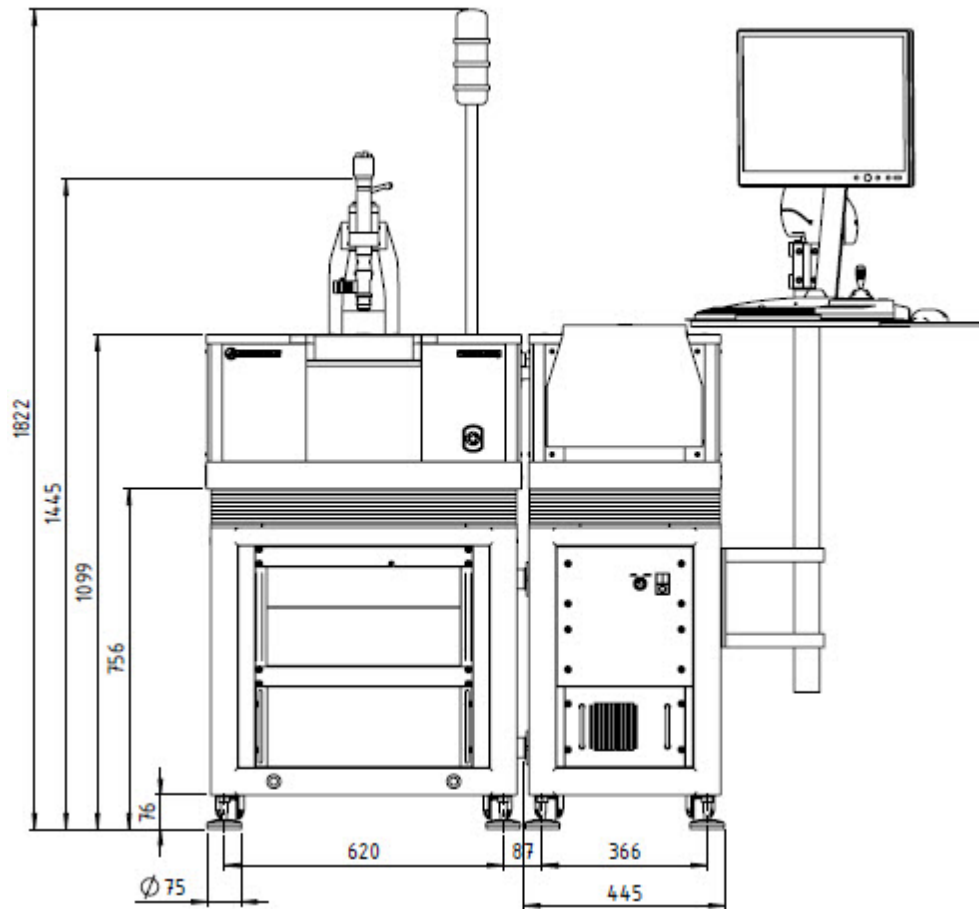
AP200 BlueRay Probe System with Loader

Dimensions (WxDxH)	Probe station (with MHU200)	• 1143 x 904 x 1120 min./1822 max. mm (45 x 35.6 x 44.1 min./71.7 max. inches)									
	Electronics rack	• 450 x 400 x 230 mm (17.7 x 15.7 x 9.1 inches), with connectors installed (option to integrate in rack)									
	Joystick controller	• 280 x 250 x 140 mm (11.0 x 9.8 x 5.5 inches) (can be mounted to external control console)									
	Control PC	Optionally integrated in VIT									
	Vibration isolation table	For dimensions and support points, see Dimensions (mm) on page 3.									
	Optional instrument shelf	<ul style="list-style-type: none"> • Left side configuration: additional 95 mm (3.7 inches) required at left side, plus 640 mm (25.2 inches) clearance for pivot arm • Rear side configuration: additional 123 mm (4.8 inches) required at rear, plus 230 mm (9.1 inches) front side clearance for pivot arm 									
	Additional clearance	<table border="0"> <tr> <td>Front</td> <td>• 800 mm (31.5 inches) for operator/installation</td> </tr> <tr> <td>Back</td> <td>• 200 mm (7.9 inches) for cables</td> </tr> <tr> <td>Left</td> <td>• 600 mm (23.6 inches) during installation or service</td> </tr> <tr> <td>Right</td> <td></td> </tr> <tr> <td>Top</td> <td>• 2500 mm (98.4 inches)</td> </tr> </table>	Front	• 800 mm (31.5 inches) for operator/installation	Back	• 200 mm (7.9 inches) for cables	Left	• 600 mm (23.6 inches) during installation or service	Right		Top
Front	• 800 mm (31.5 inches) for operator/installation										
Back	• 200 mm (7.9 inches) for cables										
Left	• 600 mm (23.6 inches) during installation or service										
Right											
Top	• 2500 mm (98.4 inches)										
Weight	Probe station (with vibration isolation table)	• 360 kg (794 pounds)									
	MHU200	• 240 kg (529 pounds)									
Shipping Dimensions (WxDxH) (approx. values)	Probe station crate	• 1310 x 1310 x 1780 mm (51.6 x 51.6 x 70.1 inches)									
	MHU200 crate	• 860 x 1240 x 1470 mm (33.9 x 48.8 x 57.9 inches)									
	Accessories	• 80 x 120 x 75/97 mm (3.1 x 4.7 x 3.0/3.8 inches)									
Shipping Weight (approx. values)	Probe station crate	• 550 kg (1213 pounds)									
	MHU200 crate	• 350 kg (772 pounds)									
	Accessories	• 200 kg (441 pounds)									

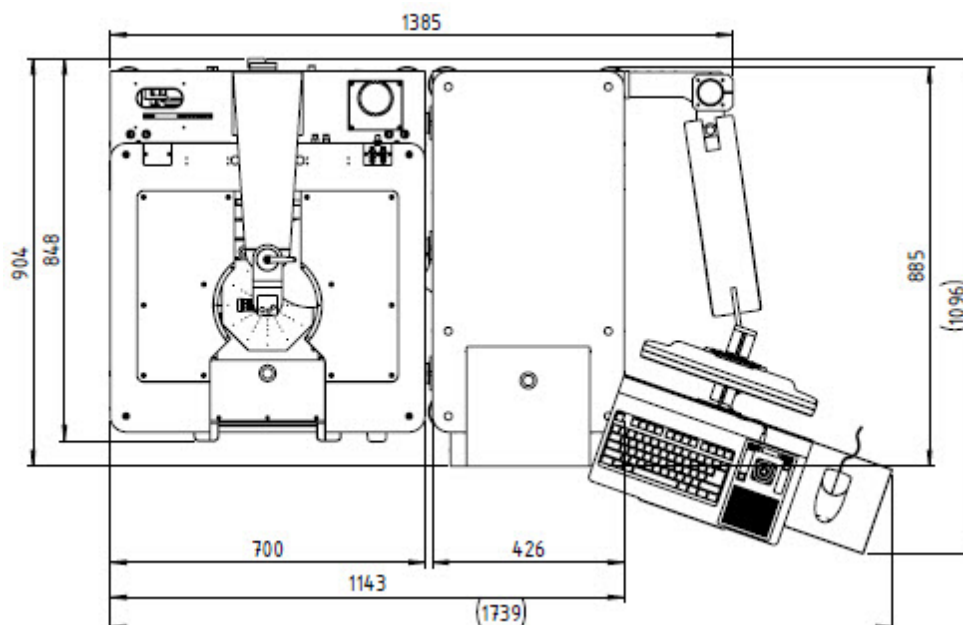
AP200 BlueRay Probe System with Loader

Dimensions (mm)

Front view

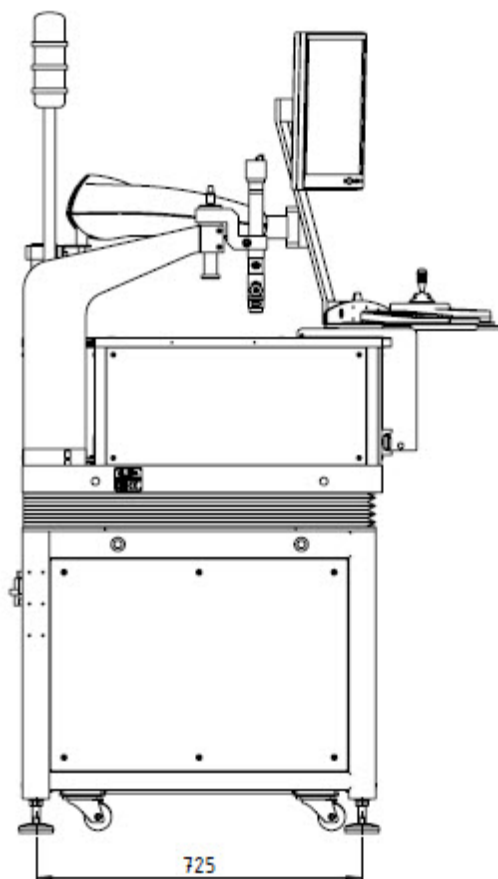


Top view



AP200 BlueRay Probe System with Loader

Side view



© Copyright 2018 FormFactor, Inc. All rights reserved. No part of this document may be reproduced, transmitted or displayed in any form or by any means except as duly authorized by FormFactor, Inc. FormFactor and the FormFactor logo are trademarks of FormFactor, Inc. All other trademarks are the property of their respective owners.

Important Notice

While the information contained herein is believed to be accurate as of the date hereof, no express or implied representations or warranties are made with respect to its accuracy or completeness. FormFactor, Inc., and its subsidiaries disclaim liability for any inaccuracies or omissions. All information is subject to change without notice.

Users are required to read and follow carefully all safety, compliance and use instructions. Users assume all loss and liability arising from the use of products in any manner not expressly authorized. The conditions and methods of use of products and information referred to herein are the entire responsibility of the user and, to the maximum extent permitted by applicable law, FormFactor, Inc., and its subsidiaries shall not be liable for any damages, losses, costs or expenses arising out of, or related to, the use thereof.

No license, express or implied, by estoppel or otherwise, under any intellectual property right is granted in connection herewith. Users shall take all actions required to avoid intellectual property infringement.

Corporate Headquarters

7005 Southfront Road
Livermore, CA 94551
Phone: 925-290-4000
www.formfactor.com

