

APS200/SPS200 TESLA System


This guide contains information to help prepare your facility for the arrival of your FormFactor probe station.



NOTE

Facility requirements for thermal systems are listed separately. See the Facility Planning Guide specific to your thermal system for details.

Probe Station Requirements

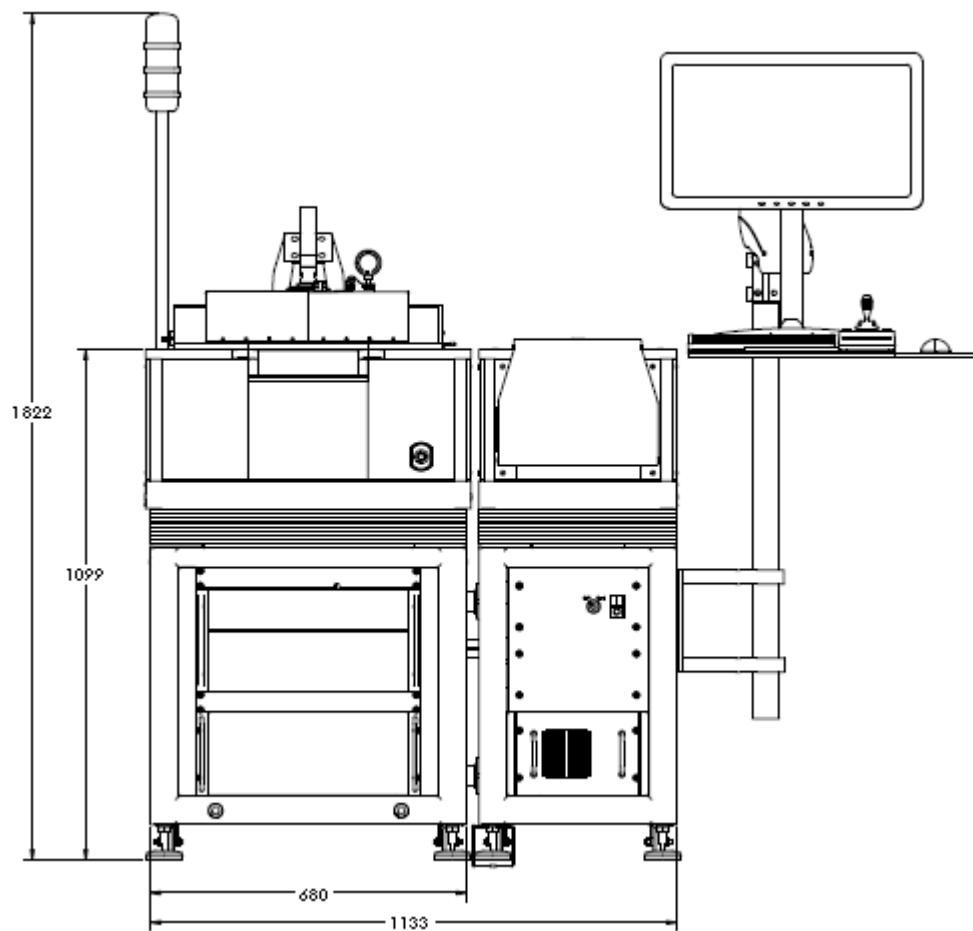
Air and Vacuum	Vacuum	<ul style="list-style-type: none"> • Less than 20 kPa absolute • Flow rate 0.5 SCFM • 8 mm hose (5/16-inch) 	
	Compressed air for vibration isolation table and probe card	<ul style="list-style-type: none"> • Filtered, dry and oil-free • Minimum 0.65 MPa (6.5 bar) minimum to 0.8 MPa (8 bar) maximum • Flow rate 140 liters/min (5 SCFM) • 8 mm hose (5/16-inch) <p> WARNING</p> <p><i>FormFactor does not endorse or recommend using nitrogen instead of CDA, except for chamber purge or probe card, with any FormFactor system due to the risk of oxygen depletion in the working environment.</i></p> <p><i>If your testing configuration requires the use of nitrogen instead of CDA for chamber purge, you should discuss your setup with your safety and facilities departments to ensure that the oxygen flow in your working environment is adequate to dissipate any nitrogen build up. The use of oxygen sensor alarms is also recommended.</i></p>	
Power	Probe station	200-240 VAC nominal, 50/60 Hz, 500 VA	
	Protection class	I	
	Transient overvoltage	Overvoltage category II (IEC 60364-4-443)	
	Main connector	IEC14 (country specific cord provided)	
Environmental Conditions	Humidity	<ul style="list-style-type: none"> • Tool area: 25% to 60% • Support equipment area: 25% to 60% 	
	Temperature	<ul style="list-style-type: none"> • Operating range: 19°C to 24°C • Target temperature: 22°C <p> NOTE</p> <p><i>Keep electronics rack side ventilators and air expellers clear for air circulation.</i></p>	
	Pollution level	• 1 (IEC 60664)	
	Clean room class	• Class 6 corresponding to DIN EN ISO 14644-1	
	Tolerance	• 1K	
	Vibrations	The facility should be free of vibrations caused by other equipment.	
Dimensions (WxDxH)	Station	Minimum: <ul style="list-style-type: none"> • APS200TESLA (with loader) = 1385 x 875 x 1822 mm (54.5 x 34.4 x 71.7 inches) • SPS200TESLA = 932 x 785 x 1822 mm (36.7 x 31.0 x 71.7 inches) 	
	Additional clearance	Front	800 mm (31.5 inches) for operator/installation
		Back	<ul style="list-style-type: none"> • 200 mm (7.9 inches) for cables
Left		• 600 mm (23.6 inches) during installation or service	
Right			
	Top	• 2500 mm (98.4 inches)	

APS200/SPS200 TESLA System

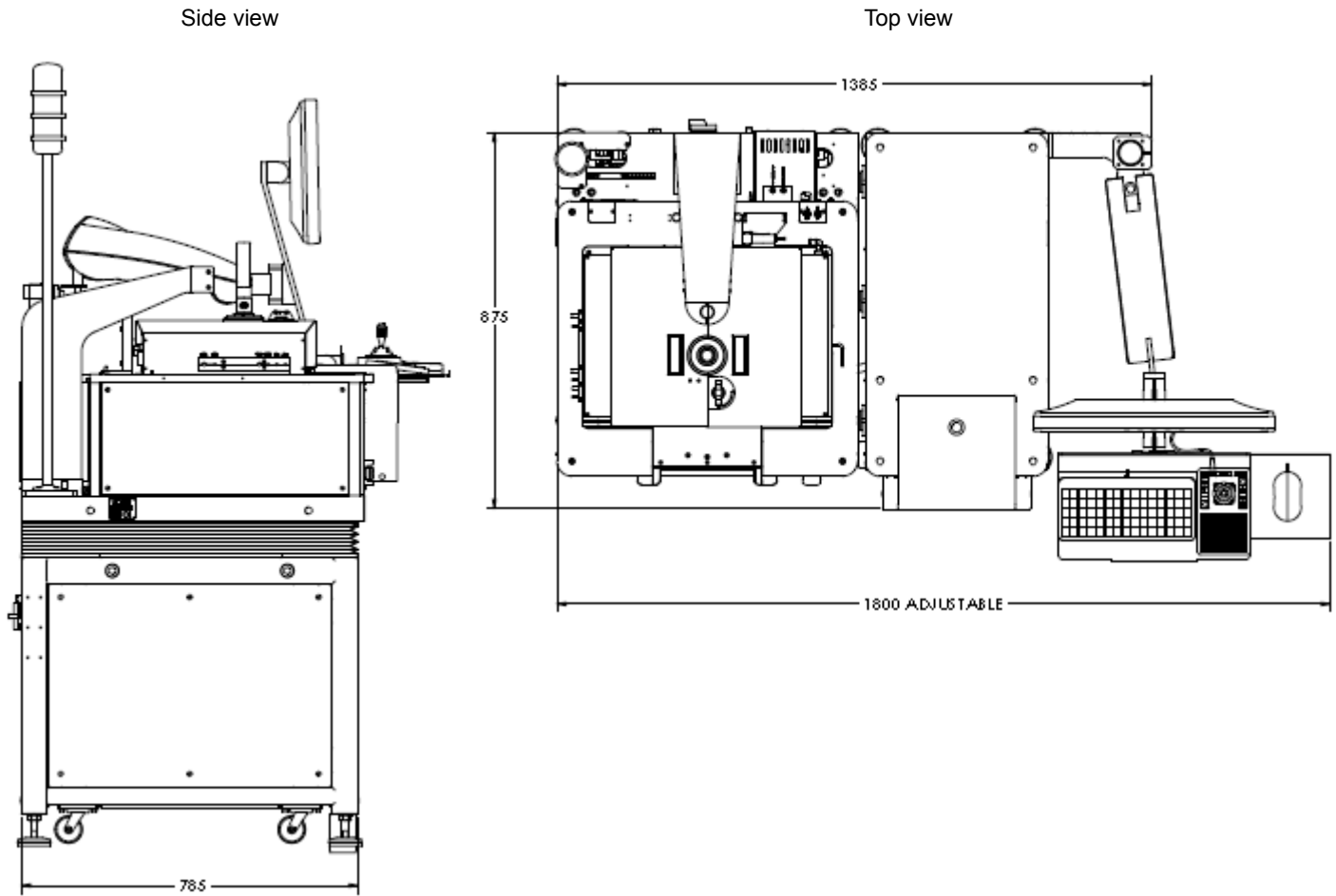
Weight	Station	475 kg (1047 pounds)
	Loader module	250 kg (551 pounds)
Shipping Dimensions (WxDxH) and Weight (approx. values)	Probe station crate	1200 x 1200 x 1000 mm (47.2 x 47.2 x 39.4 inches)
	Loader crate	600 x 1000 x 1400 mm (23.6 x 39.4 x 55.1 inches)

Dimensions (in mm)

Front view



APS200/SPS200 TESLA System



© Copyright 2018 FormFactor, Inc. All rights reserved. No part of this document may be reproduced, transmitted or displayed in any form or by any means except as duly authorized by FormFactor, Inc. FormFactor and the FormFactor logo are trademarks of FormFactor, Inc. All other trademarks are the property of their respective owners.

Important Notice

While the information contained herein is believed to be accurate as of the date hereof, no express or implied representations or warranties are made with respect to its accuracy or completeness. FormFactor, Inc., and its subsidiaries disclaim liability for any inaccuracies or omissions. All information is subject to change without notice.

Users are required to read and follow carefully all safety, compliance and use instructions. Users assume all loss and liability arising from the use of products in any manner not expressly authorized. The conditions and methods of use of products and information referred to herein are the entire responsibility of the user and, to the maximum extent permitted by applicable law, FormFactor, Inc., and its subsidiaries shall not be liable for any damages, losses, costs or expenses arising out of, or related to, the use thereof.

No license, express or implied, by estoppel or otherwise, under any intellectual property right is granted in connection herewith. Users shall take all actions required to avoid intellectual property infringement.

Corporate Headquarters

7005 Southfront Road
Livermore, CA 94551
Phone: 925-290-4000
www.formfactor.com

