


# Estrada-EM WLR System

This guide contains information to help prepare your facility for the arrival of your FormFactor integrated measurement solution.

## System Requirements

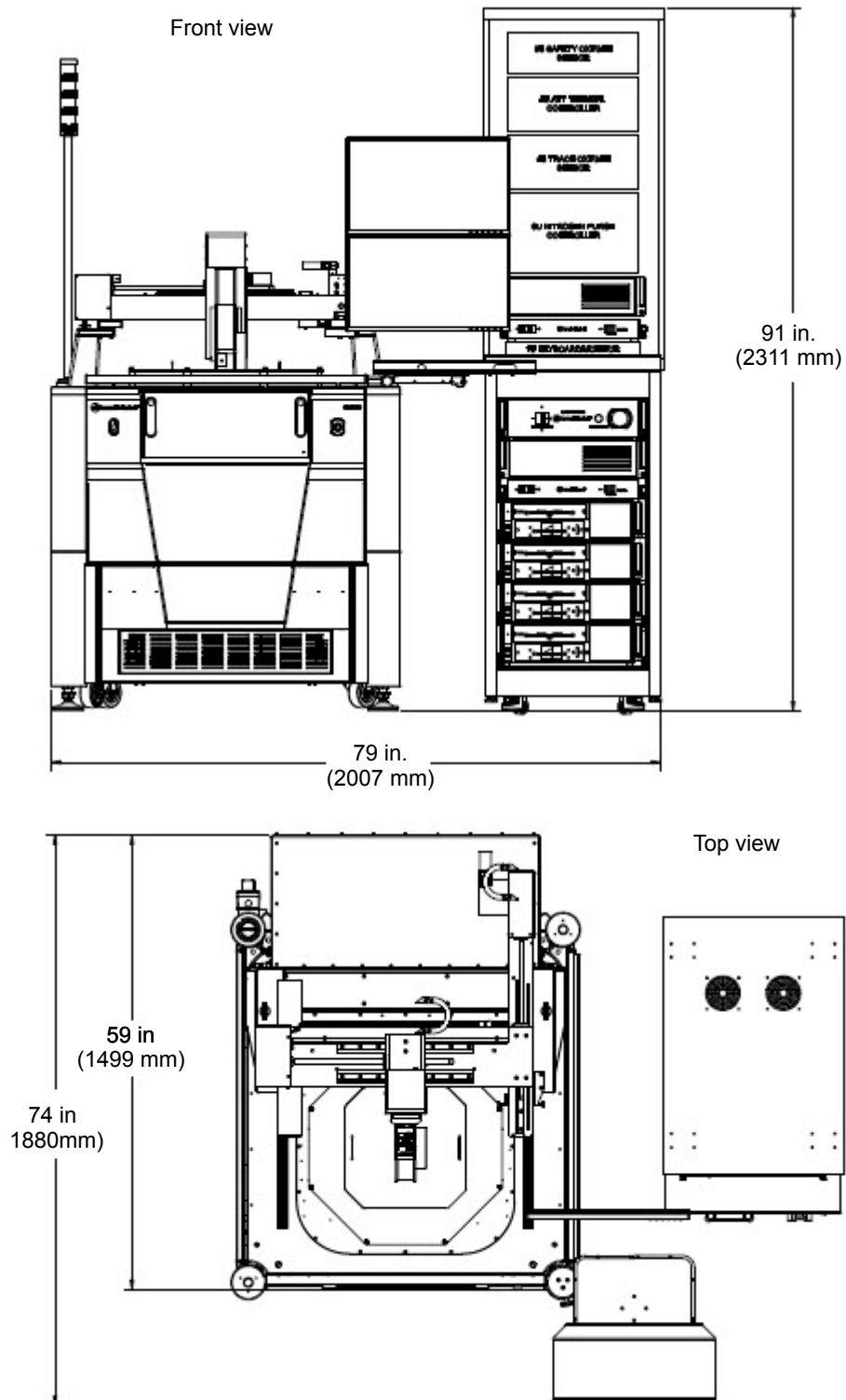
<p><b>Nitrogen</b></p>	 <p><b>WARNING</b></p> <p><i>The CM300xi MicroChamber and PureZone nanochamber can contain an oxygen deficient atmosphere. Nitrogen leakage can occur around the load door and seams of the chambers during normal operation. Do not place your mouth or nose within 6 inches of the load door in either the open or closed position. Oxygen measurements around the system during normal operation are recommended to verify that the air flow in your working environment is adequate to dilute any nitrogen leakage. The use of oxygen sensor alarms is recommended.</i></p> <ul style="list-style-type: none"> <li>• Nitrogen purity must be consistent with testing requirements. Purity of 99.999% or better, with &lt;0.5ppm oxygen is recommended.</li> <li>• Max flow (per station): 150 l/min SATP* typical, maximum 300 l/min peak usage.</li> <li>• Available pressure: 5-10 bar</li> <li>• 12 mm OD push-in tube connection</li> </ul>								
<p><b>Clean Dry Air (CDA)</b></p> <p><b>Vacuum</b></p> <p><b>Power</b></p> <p><b>Environmental Conditions</b></p>	<p>For details on requirements for the CM300xi probe station, and the Symphony and 1164 reliability test systems, see the corresponding Facility Planning Guides.</p>								
<p><b>Thermal Systems</b></p>	<p>See the <i>ATT Thermal System (+30°C to +350°C) Facility Planning Guide</i> for details.</p>								
<p><b>Dimensions</b></p>	<table border="0"> <tr> <td>BLP package</td> <td>• See <a href="#">BLP and BLN Packages</a> on page 2.</td> </tr> <tr> <td>BLN package</td> <td>• See <a href="#">BLP and BLN Packages</a> on page 2.</td> </tr> <tr> <td>BFP package</td> <td>• See <a href="#">BFP Package</a> on page 3.</td> </tr> </table>	BLP package	• See <a href="#">BLP and BLN Packages</a> on page 2.	BLN package	• See <a href="#">BLP and BLN Packages</a> on page 2.	BFP package	• See <a href="#">BFP Package</a> on page 3.		
BLP package	• See <a href="#">BLP and BLN Packages</a> on page 2.								
BLN package	• See <a href="#">BLP and BLN Packages</a> on page 2.								
BFP package	• See <a href="#">BFP Package</a> on page 3.								
<p><b>Weight</b></p>	<table border="0"> <tr> <td>Probe station for all packages</td> <td>• See the <i>CM300xi Probe System Facility Planning Guide</i> for details.</td> </tr> <tr> <td>Reliability tester for BLP and BLN packages</td> <td>• See the <i>Symphony Reliability Test System Facility Planning Guide</i> for details.</td> </tr> <tr> <td>Reliability tester for BFP package</td> <td>• See the <i>1164 Reliability Test System Facility Planning Guide</i> for details.</td> </tr> <tr> <td>Probe card and cover for all packages</td> <td>• Probe card: up to 30 kg (66 pounds) • Probe card cover: up to 10 kg (22 pounds)</td> </tr> </table>	Probe station for all packages	• See the <i>CM300xi Probe System Facility Planning Guide</i> for details.	Reliability tester for BLP and BLN packages	• See the <i>Symphony Reliability Test System Facility Planning Guide</i> for details.	Reliability tester for BFP package	• See the <i>1164 Reliability Test System Facility Planning Guide</i> for details.	Probe card and cover for all packages	• Probe card: up to 30 kg (66 pounds) • Probe card cover: up to 10 kg (22 pounds)
Probe station for all packages	• See the <i>CM300xi Probe System Facility Planning Guide</i> for details.								
Reliability tester for BLP and BLN packages	• See the <i>Symphony Reliability Test System Facility Planning Guide</i> for details.								
Reliability tester for BFP package	• See the <i>1164 Reliability Test System Facility Planning Guide</i> for details.								
Probe card and cover for all packages	• Probe card: up to 30 kg (66 pounds) • Probe card cover: up to 10 kg (22 pounds)								
<p><b>Shipping Dimensions (WxDxH)</b></p>	<table border="0"> <tr> <td>Probe station for all packages</td> <td>• See the <i>CM300xi Probe System Facility Planning Guide</i> for details.</td> </tr> <tr> <td>Reliability tester for BLP and BLN packages</td> <td>• See the <i>Symphony Reliability Test System Facility Planning Guide</i> for details.</td> </tr> <tr> <td>Reliability tester for BFP package</td> <td>• See the <i>1164 Reliability Test System Facility Planning Guide</i> for details.</td> </tr> <tr> <td>Probe card and cover for all packages</td> <td>• Pelican Case: 64 x 61 x 36 cm (25 x 24 x 14 in.)</td> </tr> </table>	Probe station for all packages	• See the <i>CM300xi Probe System Facility Planning Guide</i> for details.	Reliability tester for BLP and BLN packages	• See the <i>Symphony Reliability Test System Facility Planning Guide</i> for details.	Reliability tester for BFP package	• See the <i>1164 Reliability Test System Facility Planning Guide</i> for details.	Probe card and cover for all packages	• Pelican Case: 64 x 61 x 36 cm (25 x 24 x 14 in.)
Probe station for all packages	• See the <i>CM300xi Probe System Facility Planning Guide</i> for details.								
Reliability tester for BLP and BLN packages	• See the <i>Symphony Reliability Test System Facility Planning Guide</i> for details.								
Reliability tester for BFP package	• See the <i>1164 Reliability Test System Facility Planning Guide</i> for details.								
Probe card and cover for all packages	• Pelican Case: 64 x 61 x 36 cm (25 x 24 x 14 in.)								
<p><b>Shipping Weight</b></p>	<table border="0"> <tr> <td>Probe station for all packages</td> <td>• See the <i>CM300xi Probe System Facility Planning Guide</i> for details.</td> </tr> <tr> <td>Reliability tester for BLP and BLN packages</td> <td>• See the <i>Symphony Reliability Test System Facility Planning Guide</i> for details.</td> </tr> <tr> <td>Reliability tester for BFP package</td> <td>• See the <i>1164 Reliability Test System Facility Planning Guide</i> for details.</td> </tr> <tr> <td>Probe card and cover for all packages</td> <td>• Up to 46 kg (100 pounds)</td> </tr> </table>	Probe station for all packages	• See the <i>CM300xi Probe System Facility Planning Guide</i> for details.	Reliability tester for BLP and BLN packages	• See the <i>Symphony Reliability Test System Facility Planning Guide</i> for details.	Reliability tester for BFP package	• See the <i>1164 Reliability Test System Facility Planning Guide</i> for details.	Probe card and cover for all packages	• Up to 46 kg (100 pounds)
Probe station for all packages	• See the <i>CM300xi Probe System Facility Planning Guide</i> for details.								
Reliability tester for BLP and BLN packages	• See the <i>Symphony Reliability Test System Facility Planning Guide</i> for details.								
Reliability tester for BFP package	• See the <i>1164 Reliability Test System Facility Planning Guide</i> for details.								
Probe card and cover for all packages	• Up to 46 kg (100 pounds)								

# Estrada-EM WLR System

## Dimensions

### BLP and BLN Packages

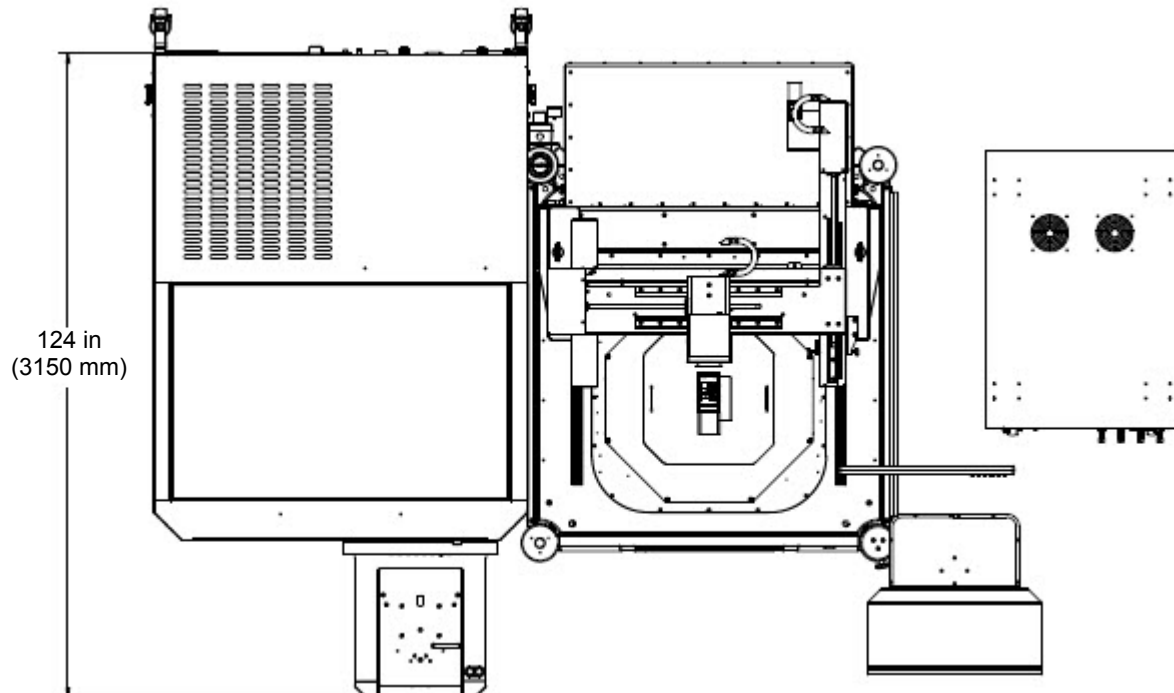
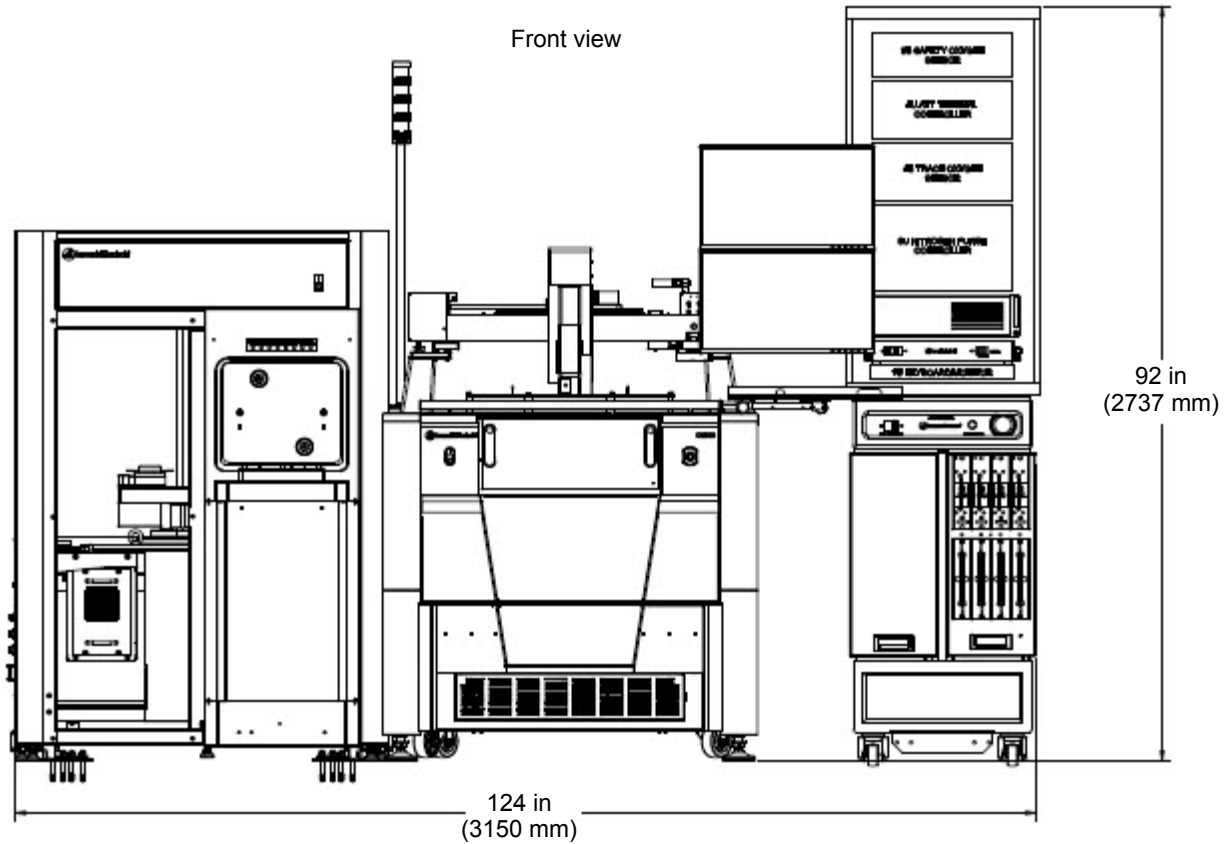
For details on probe station dimensions, see the *CM300xi Probe System Facility Planning Guide*. For details on Symphony test system dimensions, see the *Symphony Reliability Test System Facility Planning Guide*.



# Estrada-EM WLR System

## BFP Package

For details on probe station dimensions, see the *CM300xi Probe System Facility Planning Guide*. For details on the 1164 test system dimensions, see the *1164 Reliability Test System Facility Planning Guide*.



# Estrada-EM WLR System

---

© Copyright 2018 FormFactor, Inc. All rights reserved. No part of this document may be reproduced, transmitted or displayed in any form or by any means except as duly authorized by FormFactor, Inc. FormFactor and the FormFactor logo are trademarks of FormFactor, Inc. All other trademarks are the property of their respective owners.

## Important Notice

While the information contained herein is believed to be accurate as of the date hereof, no express or implied representations or warranties are made with respect to its accuracy or completeness. FormFactor, Inc., and its subsidiaries disclaim liability for any inaccuracies or omissions. All information is subject to change without notice.

Users are required to read and follow carefully all safety, compliance and use instructions. Users assume all loss and liability arising from the use of products in any manner not expressly authorized. The conditions and methods of use of products and information referred to herein are the entire responsibility of the user and, to the maximum extent permitted by applicable law, FormFactor, Inc., and its subsidiaries shall not be liable for any damages, losses, costs or expenses arising out of, or related to, the use thereof.

No license, express or implied, by estoppel or otherwise, under any intellectual property right is granted in connection herewith. Users shall take all actions required to avoid intellectual property infringement.

## Corporate Headquarters

7005 Southfront Road  
Livermore, CA 94551  
Phone: 925-290-4000  
[www.formfactor.com](http://www.formfactor.com)

