

# PLV50 Vacuum Probe System

This guide contains information to help prepare your facility for the arrival of your PLV50 probe system.

## Probe System Requirements

<b>Air and Vacuum</b>	Compressed air, station	<ul style="list-style-type: none"> <li>• Filtered, dry and oil-free</li> <li>• Minimum 5 bar to 6 bar maximum</li> <li>• Flow rate insignificant</li> <li>• 8 mm OD hose (US 5/16-inch)</li> </ul>
	Compressed air, thermal chuck	<ul style="list-style-type: none"> <li>• +25°C: 200 l/m in @6bar, dew point &lt;0°C, hose d = 8 mm OD</li> <li>• -40°C/60°C: 450 l/min @6bar, dew point &lt;0°C, hose d = 10 mm OD (ISO 8573.1 Class 1.4.1)</li> </ul>
	Dry nitrogen input	Class 4.5 (Purity 99,995%) or better, input 2 bar; 60 l per purging cycle (8 mm OD hose)
<b>Power</b>	Power supply, station	115V/230V, 50/60 Hz with plug, 800VA, protective earth connection
	Power supply, thermal chuck	<ul style="list-style-type: none"> <li>• Controller: 100-127 V / 208-240 V, 50/60 Hz, 800 VA</li> <li>• Chiller (-40°C/60°C): 200 / 208 / 230V, 50/60 Hz, 2500 VA</li> </ul>
	Protection class	• 1 (IEC 61140)
	Transient overvoltage	• Overvoltage category II (IEC 60364-4-443)
	Fuse for main power connector	• Lead in fuse 16 A (sluggish fine delayed)
<b>Environmental Conditions</b>	Humidity	• 25% to 60%
	Temperature	<ul style="list-style-type: none"> <li>• Operating range: 19° C to 24° C</li> <li>• Target temperature: 22°C</li> </ul>
	Pollution Level	• 1 (IEC 60664)
	Heat output	• typ. 1000W
	Vibrations	The facility should be free of vibrations caused by other equipment.
<b>Dimensions</b>	Probe station	• 230 kg
	Pump station	• 32 kg
	Chiller	• 180 kg
	Thermal chuck controller	• 11 kg
<b>Weight</b>	Probe station	• 230 kg
	Pump station	• 32 kg
	Chiller	• 180 kg
	Thermal chuck controller	• 11 kg



**WARNING**

*FormFactor does not endorse or recommend using nitrogen instead of CDA, except for chamber purge, with any FormFactor system due to the risk of oxygen depletion in the working environment.*

*If your testing configuration requires the use of nitrogen instead of CDA for chamber purge, you should discuss your setup with your safety and facilities departments to ensure that the oxygen flow in your working environment is adequate to dissipate any nitrogen build up. The use of oxygen sensor alarms is also recommended.*

# PLV50 Vacuum Probe System

## Shipping Dimensions and Weight

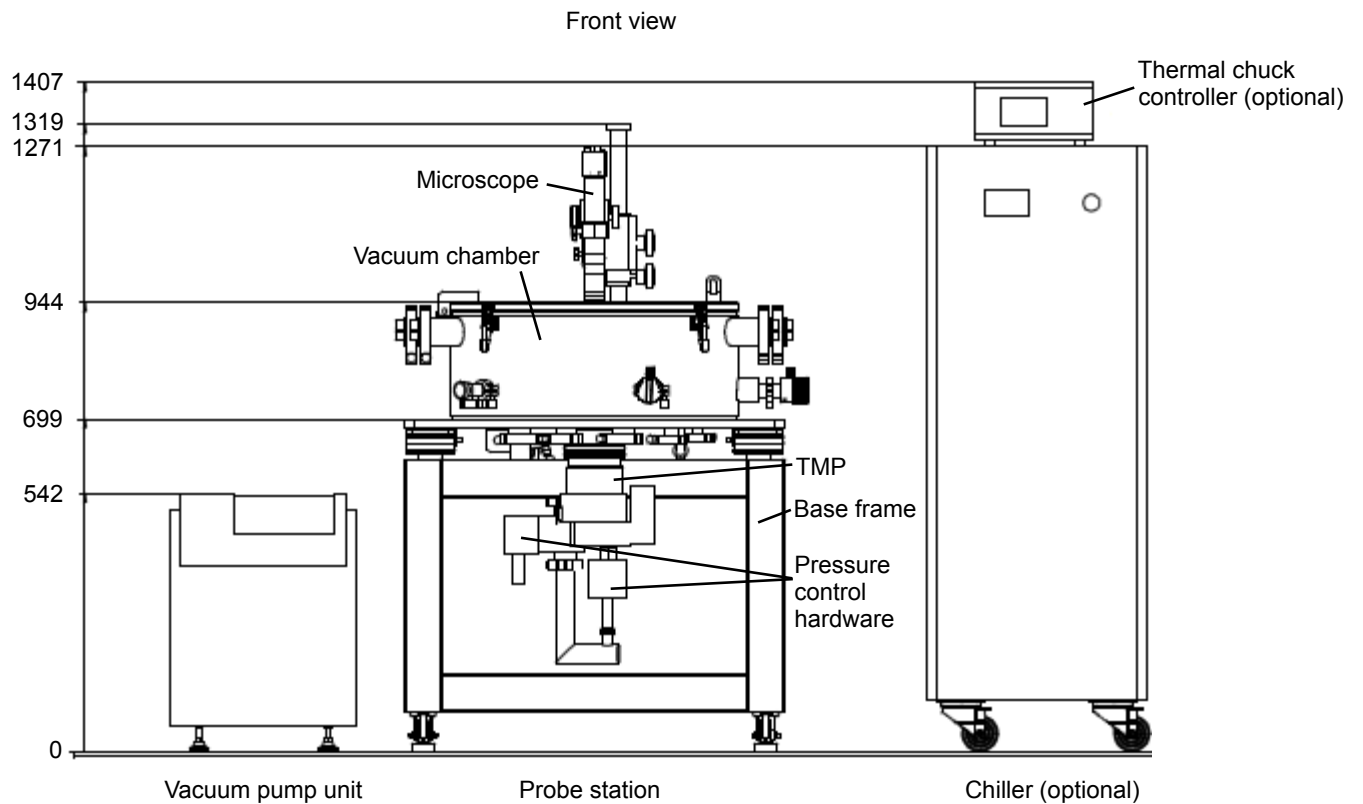


### NOTE

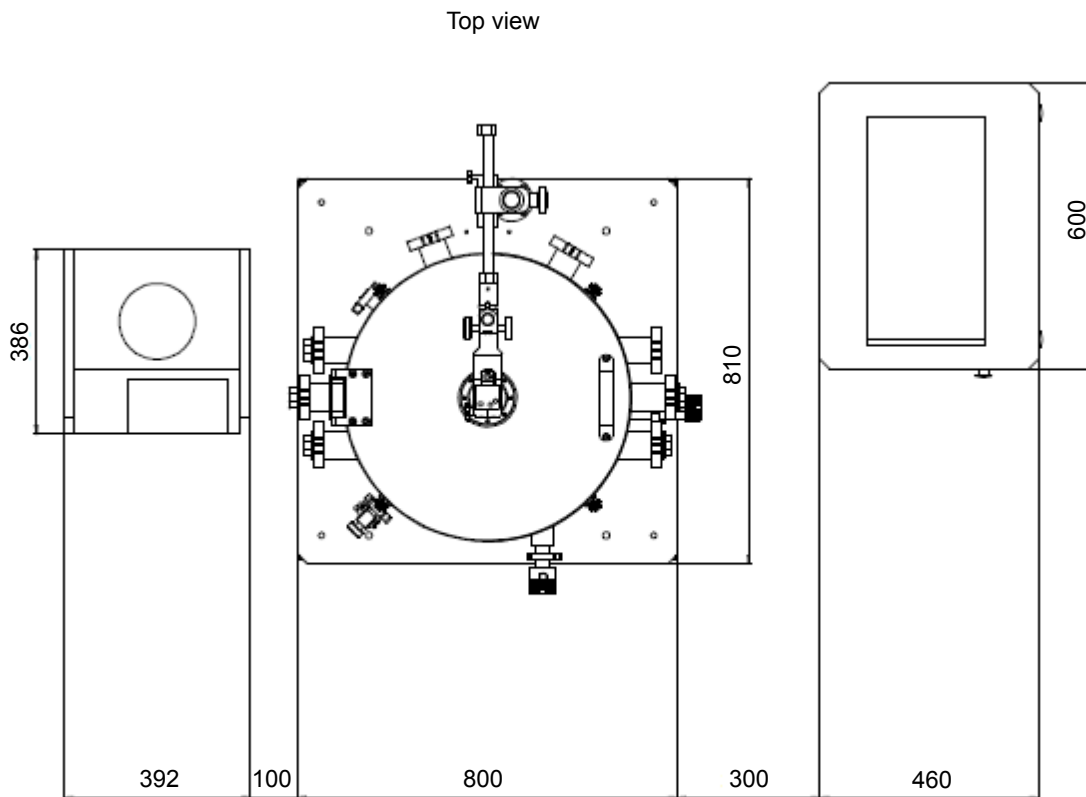
A forklift with 1 m (minimum) forks is required to move the station.

Station	<ul style="list-style-type: none"> <li>• 1430 mm x 1310 mm x 1830 mm</li> <li>• Weight: 400 kg</li> </ul>
Optional chiller accessories (typical data)	<ul style="list-style-type: none"> <li>• 1000 mm x 1300 mm x 1300 mm</li> <li>• Weight: 300 kg</li> </ul>

## Dimensions (in mm)



# PLV50 Vacuum Probe System



© Copyright 2018 FormFactor, Inc. All rights reserved. No part of this document may be reproduced, transmitted or displayed in any form or by any means except as duly authorized by FormFactor, Inc. FormFactor and the FormFactor logo are trademarks of FormFactor, Inc. All other trademarks are the property of their respective owners.

## Important Notice

While the information contained herein is believed to be accurate as of the date hereof, no express or implied representations or warranties are made with respect to its accuracy or completeness. FormFactor, Inc., and its subsidiaries disclaim liability for any inaccuracies or omissions. All information is subject to change without notice.

Users are required to read and follow carefully all safety, compliance and use instructions. Users assume all loss and liability arising from the use of products in any manner not expressly authorized. The conditions and methods of use of products and information referred to herein are the entire responsibility of the user and, to the maximum extent permitted by applicable law, FormFactor, Inc., and its subsidiaries shall not be liable for any damages, losses, costs or expenses arising out of, or related to, the use thereof.

No license, express or implied, by estoppel or otherwise, under any intellectual property right is granted in connection herewith. Users shall take all actions required to avoid intellectual property infringement.

## Corporate Headquarters

7005 Southfront Road  
Livermore, CA 94551  
Phone: 925-290-4000  
[www.formfactor.com](http://www.formfactor.com)

